

1. IMC-3505U Specification

Features (IMC-3505U)		
Image Sensor Type	2/3-type CCD Sensor(RJ32S3AD0DT)	
Effective pixels	2448(H) x 2050(V), 5.02M Pixels	
Picture Size	2448(H) x 2048(V)	
Cell Size(um)	3.45x3.45	
Real Frame Rate	15.0 (2448x2048, Bayer 8/Mono8) 15.0 (2448x2048, Bayer 12) 15.0 (2448x2048, YUV411) 15.0 (2448x2048, YUV422)	
Lens Mount	C-Mount	
Scanning System	Progressive System	
Frame Format	Mono8(B/W), Bayer8, Bayer12, YUV411, YUV422	
Trigger	Edge	Rising Edge or Falling Edge (Photo coupler)
	Mode	0, 15
	Source	External Trigger(Photo-coupler) or Software Trigger
Strobe	Support Normal Mode or Trigger Mode(Photo-coupler)	
Control Functions	Brightness, Sharpness, Saturation, Gamma, Auto-Exposure, Shutter, Gain, AWB User Defined LUT	
SIO(RS-232)	Path through or IMI-Tech Command	
Digital Interface / Transfer Rate	USB3.0	
Gain	0 ~ 18 dB (Manual or Auto)	
Shutter Speed	5 usec ~ 1sec, Global shutter	
Supply Voltage	DC5V ±10% (USB Cable Power)	
Power	Max. 4.5Watt	
External Dimension (H x V x T)	44.0mm x 44.0mm x 40.8mm(C-mount except.)	
Operation Temp.	-10°C to 50°C (Humidity: 0%RH ~ 80%RH)	
Storage Temp	-40°C to 70°C (Humidity: 0%RH ~ 90%RH)	
Weight	Approx. 110g(without lens)	
Camera Specification	AIA USB3.0 Vision version 1.0	

Remark : Camera Specifications subject to change without notice.



2. IMB-3505U Specification

Features (IMB-3505U)		
Image Sensor Type	2/3-type CCD Sensor(RJ32S4AD0DT)	
Effective pixels	2448(H) x 2050(V), 5.02M Pixels	
Picture Size	2448(H) x 2048(V)	
Cell Size(um)	3.45x3.45	
Real Frame Rate	15.0 (2448x2048, Mono8/Mono12)	
Lens Mount	C-Mount	
Scanning System	Progressive System	
Frame Format	Mono8, Mono12	
Trigger	Edge	Rising Edge or Falling Edge (Photo coupler)
	Mode	0, 15
	Source	External Trigger(Photo-coupler) or Software Trigger
Strobe	Support Normal Mode or Trigger Mode(Photo-coupler)	
Control Functions	Brightness, Sharpness, Gamma, Auto-Exposure, Shutter, Gain User Defined LUT	
SIO(RS-232)	Path through or IMI-Tech Command	
Digital Interface / Transfer Rate	USB3.0	
Gain	0 ~ 18 dB (Manual or Auto)	
Shutter Speed	5 usec ~ 1sec, Global shutter	
Supply Voltage	DC5V ±10%(USB Cable Power)	
Power	Max. 4.5Watt	
External Dimension (H x V x T)	44.0mm x 44.0mm x 40.8mm(C-mount except.)	
Operation Temp.	-10°C to50°C (Humidity: 0%RH ~ 80%RH)	
Storage Temp	-40°C to 70°C (Humidity: 0%RH ~ 90%RH)	
Weight	Approx. 110g(without lens)	
Camera Specification	AIA USB3.0 Vision version 1.0	

Remark : Camera Specifications subject to change without notice.

3. IMx-3118U Specifications

Features	IMB-3118U	IMC-3118U
Image Sensor Type	2/3-inch Progressive scan CCD (ICX285AL)	2/3-inch Progressive scan CCD (ICX285AQ)
Effective pixels	1.45 Mpixels 1392(H) x1040(V)	
Picture Size	1388(H) x1040(V)	1388(H) x1036(V)
Cell Size(um)	6.45 um x 6.45 um	
Real Frame Rate	20 fps(all data format)	
Mono/Color	Mono	Color
ADC Bit Depth	8 or 12 bits	
Data Format	Mono 8 Mono 12	Mono 8 Bayer 8 Bayer 12 YUV 411 YUV 422
Data Output Type	USB3.0, 4.8Gbps	
Trigger	External or Software Trigger with various mode	
Memory Save/Load	9 Channels (0:factory, 1~4:feature, 5~8:mode/feature)	
SIO(RS-232)	Path through or IMI-Tech Command	
Gain Control	0 ~ 18 dB (Manual or Auto)	
Shutter Speed	1 usec ~ 3600 sec	
Control Functions	Brightness, Sharpness, Gamma, Auto-Exposure, Shutter, Gain User Defined LUT, Saturation, Hue	
I/O Lines	1 opto-isolated input and 1 opto-isolated output lines	
Lens Mount	C-Mount	
Power Consumption	5-24V via IO or 5V via USB 3.0 interface or, maximum < 3.8 W	
Dimension	44(W) x 29(H) x 67(D) mm (with lens adapter)	
Operation Temp.	-5°C to 45°C	
Storage Temp	-30°C to 60°C	
Camera Specification	AIA USB3.0 Vision version 1.0	

Remark : Camera Specifications subject to change without notice

4. Camera I/O Operation Specifications

The required condition of I/O input voltage

Voltage	Remark
+0 to +24 VDC	Recommended operating voltage
+0 to +1.4 VDC	Logical behavior "0" state
> +1.4 to +2.2 VDC	It might not work normally .
> +5 VDC	Logical behavior "1" state
+24.0 VDC	Maximum operating voltage The camera could be damaged over maximum operating voltage.

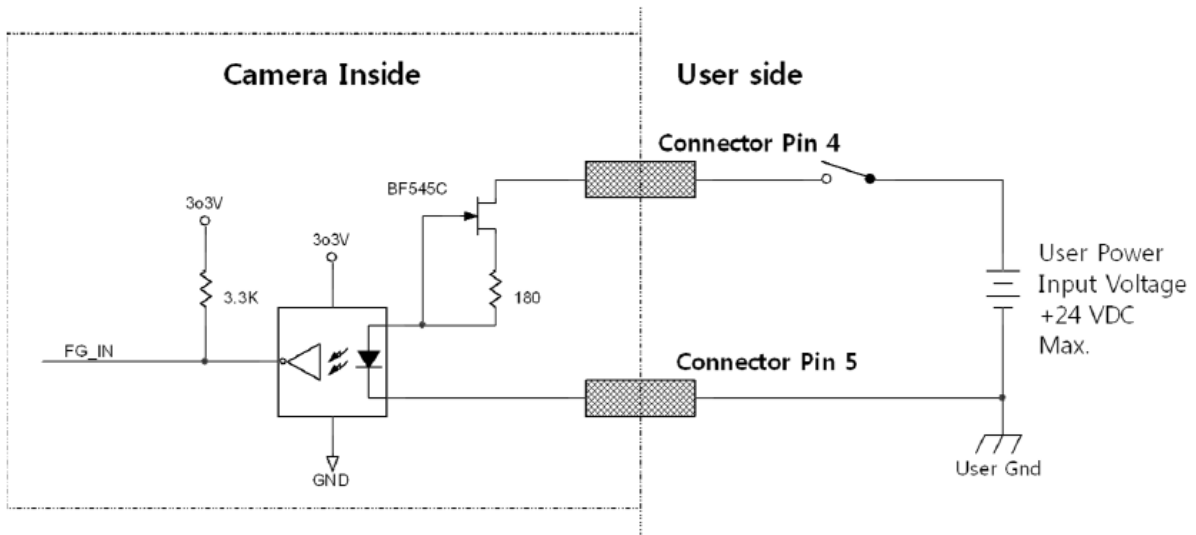
*. Input I/O pins 4 input signal and pins 5 I/O GND of the 12-pin receptacle HIROSE Connector

Input I/O configuration

I/O Input port is opto-isolated. (Refer to the table regarding operation condition)

The maximum operation voltage of the input port is +24VDC, and the allowed current is 5~15mA.

* Input port configuration



The required condition of I/O output voltage

Voltage	Remark
< +3.3 VDC	It might not work normally.
+5 to +24 VDC	Recommended operating voltage.
+24.0 VDC	Maximum operating voltage The camera could be damaged over maximum operating voltage.

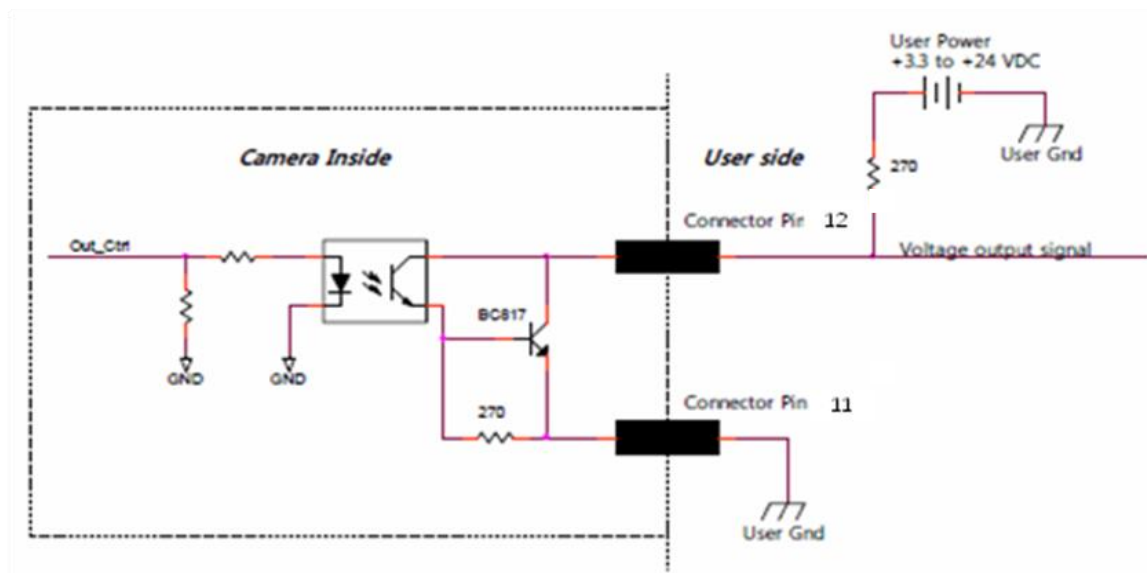
*. Output I/O pins 4 input signal and pins 5 I/O GND of the 6-pin receptacle HIROSE Connector

Output I/O configuration

Output port is opto-isolated. (Refer to the table regarding operation condition)

The maximum operation voltage of the output port is +24VDC, and the maximum allowed current is 100mA.

*. Output port configuration



Cameras Connector 12-pin Receptacle Assignments and Numbering

pin	Designation	pin	Designation
1	NC	7	GND
2	NC	8	RS-232 (Rx)
3	GND	9	RS-232 (Tx)
4	I/O Input (trigger)	10	NC
5	I/O Input GND	11	I/O Outputs GND
6	NC	12	I/O Output (strobe)

➤ **Dimension**

