



New Generation GigE CCD & CMOS Cameras

DMK 23BG618.H, DMK 23BG445.H,
DMK 23BG274.H, DMK 23BGV024.H, DMK 23BGP031R.H



The Imaging Source GigE CCD & CMOS cameras serve to acquire, visualize, archive and analyze images. They are used in production automation, quality assurance, logistics and in medicine and science.

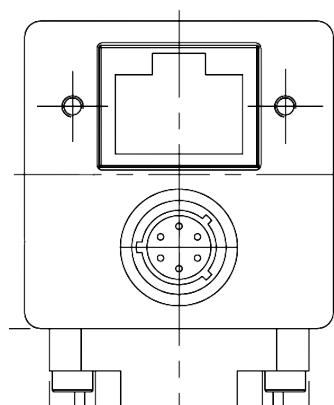
Developers and system engineers prefer The Imaging Source GigE cameras due to their ease of system integration.

WHAT'S INCLUDED

- Camera
- Driver for WDM, DirectShow, DirectX®, TWAIN, ActivVisionTools, HALCON, VFW and LabVIEW® for Windows XP, Windows Vista™ and Windows 7 (32 and 64 bit)
- IC Capture: camera control software for Windows XP, Windows Vista™ and Windows 7 (32 and 64 bit)
- IC Imaging Control®: SDK that consists of a .NET component and a C++ Class Library for Windows XP, Windows Vista™ and Windows 7 (32 and 64 bit)

SPECIFICATION

- Sony progressive scan CCDs (1/4", 1/3" and 1/1.8"), Micron/Aptina CMOS (1/3" and 1/2.5")
- Types: mono and color
- Resolution: up to 2592 x 1944 pixel
- Up to 120 image/s
- Trigger and I/Os: optional
- C and CS mount
- Interface: Gigabit Ethernet
- Protocol: GigE Vision®/GenICam™

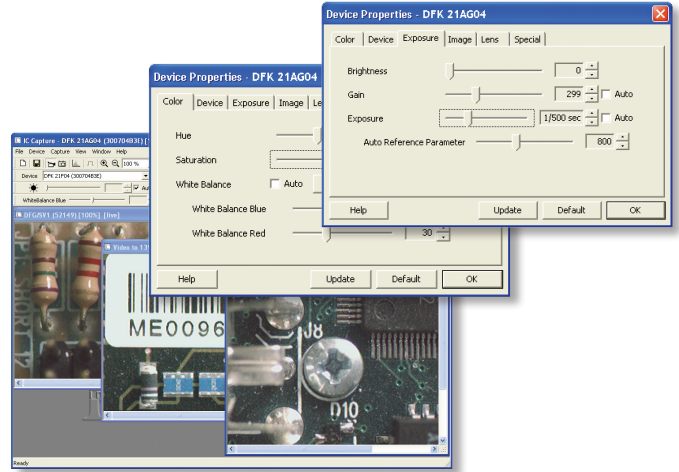


**SMALL &
LIGHTWEIGHT**

HOW TO USE THE INCLUDED SOFTWARE

All cameras ship with the control software IC Capture, which can be used to:

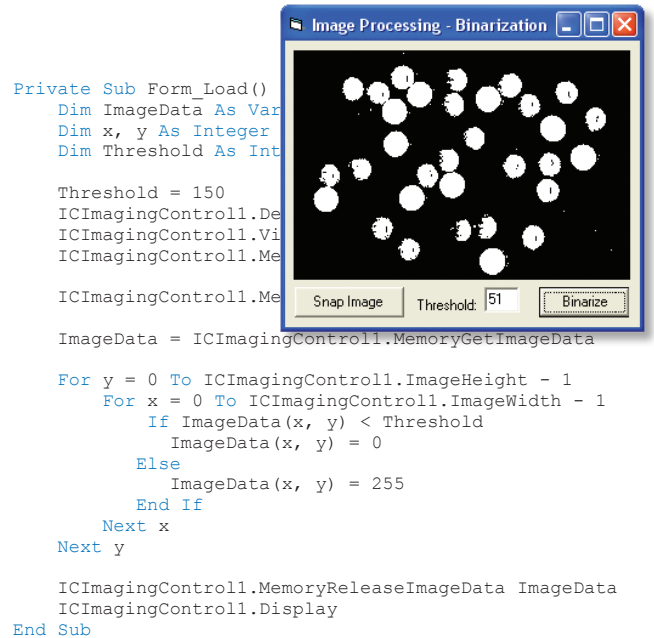
- Control all camera parameters
- See the camera's live image
- Capture single images from the camera and save them as BMP or JPG files
- Capture sequences of single images and save them as enumerated BMP or JPG files
- Capture image data streams and save them as an AVI file
- IC Capture runs on Windows XP, Windows Vista™ and Windows 7 (32 and 64 bit)
- Please find technical details at www.theimagingsource.com.



HOW DEVELOPERS WORK WITH THE CAMERA

All cameras ship with the SDK IC Imaging Control®. IC Imaging Control® abstracts image devices and offers a number of ready to use, basic procedures:

- Control all camera parameters
- Simultaneously control many cameras
- Live display with scroll and zoom
- Fast acquisition directly into the main memory
- Acquire single images, image sequences and video streams
- Overlay live videos with graphics (e.g. crosshairs or clock)
- Acquire AVI files with any codec, which is compatible to WDM, DirectShow and DirectX®
- Ring buffer to "look into the past"
- Control trigger mode and I/Os
- IC Imaging Control® consists of a .NET component and a C++ Class Library. It runs on Windows XP, Windows Vista™ and Windows 7 (32 and 64 bit)
- Please find technical details at www.imagingcontrol.com.



Headquarters: The Imaging Source Europe GmbH
Sommerstrasse 36, D-28215 Bremen, Germany
Phone: +49 421 33591-0

North & South America: The Imaging Source, LLC
6926 Shannon Willow Rd, S 400, Charlotte, NC 28226, USA
Phone: +1 704-370-0110

Asia Pacific: The Imaging Source Asia Co. Ltd.
6F-1, No.230, Sec.3, Ba-De Road, Taipei City 10555, Taiwan
Phone: +886 2-2577-1228

www.theimagingsource.com

All product and company names in this document may be trademarks and tradenames of their respective owners and are hereby acknowledged.

The Imaging Source Europe GmbH cannot and does not take any responsibility or liability for any information contained in this document. The source code presented in this document is exclusively used for didactic purposes. The Imaging Source does not assume any kind of warranty expressed or implied, resulting from the use of the content of this document or the source code.

The Imaging Source Company reserves the right to make changes in specifications, function or design at any time and without prior notice.

Last update: October 2011

Copyright © 2011 The Imaging Source Europe GmbH

All rights reserved. Reprint, also in parts, only allowed with permission of The Imaging Source Europe GmbH.

All weights and dimensions are approximate. Unless otherwise specified the lenses shown in the context of cameras are not shipped with these cameras.